

RENOVATION OF  
FOLDING POWER CHAIR

*Luggie*<sup>®</sup>.Chair



# Perfectionism

Being the pioneer of **folding mobility equipment**, FreeRider has been innovating powerful and beautiful mobility equipment to the riders.

Not only adopt the advantages of Luggie scooters also integrate the patented Coaxial **DMS tech** to improve the traditional power chair main problem in order to deliver superior **traction control management**.





## Innovation but NOT RECREATION

Any products need to have innovation, but without documentation your innovation is ZERO.

Today, we're proud of Luggie chair is not belong to recreational product category so we keep our liability to ensure every consumers rights are protected under by high standard FDA requirement in the USA.

**Luggie Chair is FDA Approval Medical Devices: K 160139**



## Armrest

Armrest height and width are adjustable for your comfortable position.



## Battery

Battery can be adopted by all Luggie lithium-ion freely. Options can be 8.5ah, 10.5ah and 16.5ah. Warranty are all covered 12 months.



## Caster

Casters are designed by quick-released. Will help you to put into trunk easily.

# Features

THINK AHEAD FOR YOU



P  
E  
R  
F  
E  
C  
T  
I  
O  
N

1

## ONE

A pair of front anti-tip designing for power chair to deliver more safety and well-equipped with seat belt.

2

## TWO

Two seat height position to be adjusted

3

## THREE

Without any complicated steps and tools can be fold and expand in 3 second ready to go.



THINK AHEAD FOR YOU



P  
E  
R  
F  
E  
C  
T  
I  
O  
N



Stand-able foot platform &  
Quick-Release-able casters

THINK AHEAD FOR YOU



P  
E  
R  
F  
E  
C  
T  
I  
O  
N



Switchable joystick

THINK AHEAD FOR YOU



P  
E  
R  
F  
E  
C  
T  
I  
O  
N



loading mat/ free accessories

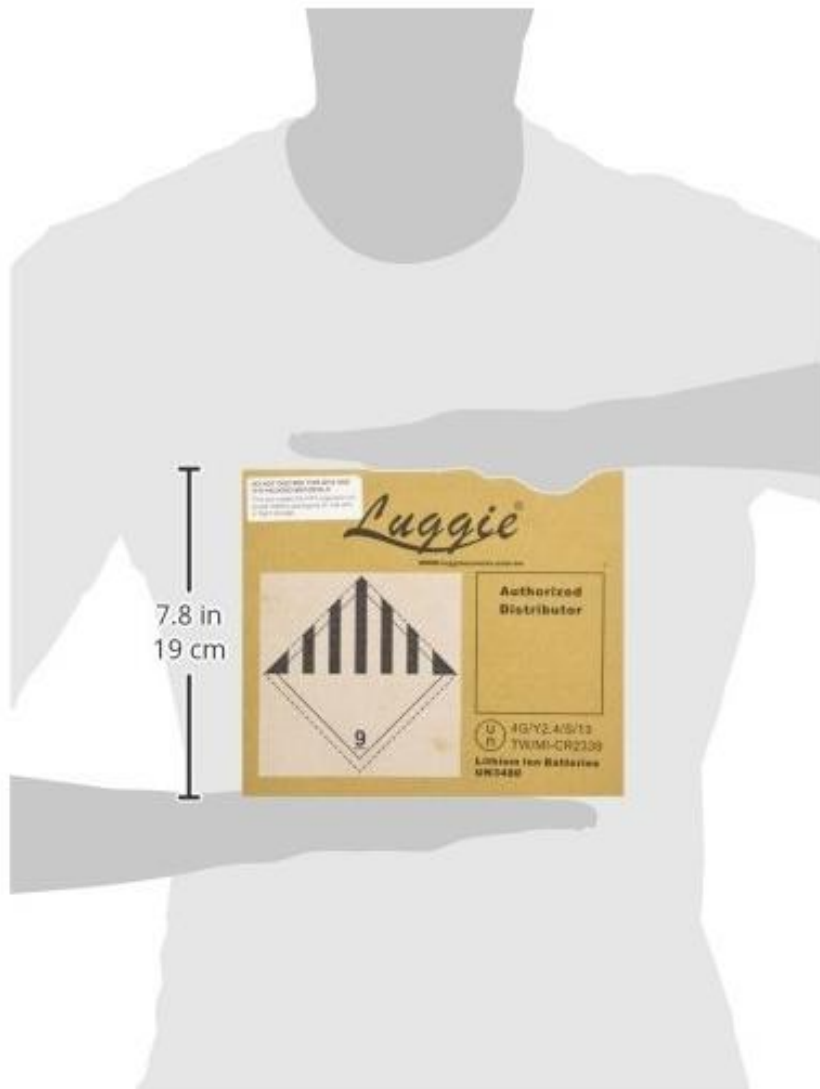


# UN 38.3

An International testing criteria for lithium battery or equipment containing lithium battery should undergo all testing criteria.

Our 8.5ah and 10.5ah lithium-ion battery and Luggie Chair itself are certified the UN 38.3 criteria. Battery weight is 4.5lbs.

Customers can be carry the light weight battery to airline. It is **TSA approved**.

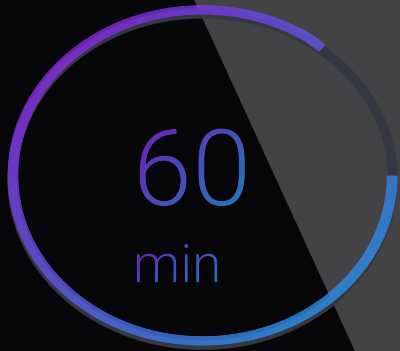


Powered by 18650 Li-ion battery pack with certified IEC 62133 and UN 38.3. In addition, it adopts intelligent BMS battery management system which comes with various battery protections for the battery cell and your using safety.

# LUGGIE Li-ion Guide

8 MILES  
8.5 AH

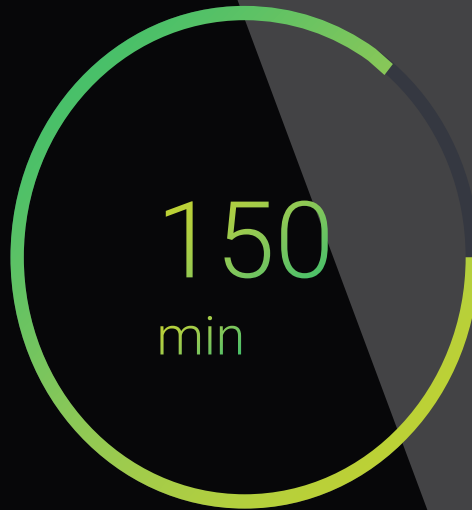
0~85% charging in 60-min and offer you up to 8-mile



MSRP 799

22 MILES  
16.5AH

0~85% charging in 150-min  
and offer you up to 18-mile



MSRP 1499

10 MILES  
10.5 AH

0~85% charging in 75-min and offer  
you up to 10-mile



MSRP 899



## Medical Devices



TravelRider is certified all the power wheelchair requirement, so it comes with K number based on FDA regulation. We submitted it as **Medical Devices** to ensure you using is safety and provide product liability insurance.

## Efficacy



Adopted aircraft aluminium class as chassis and with zero-welding technique to make the strongest chassis than other power chair suppliers. It is **smallest footprint and biggest weight capacity** folding power chairs in the world.

## DMS System



The patented and coaxial DMS system solve the traditional main problems. It's capable to delivers superior **traction control management** than others.

## Upgradable



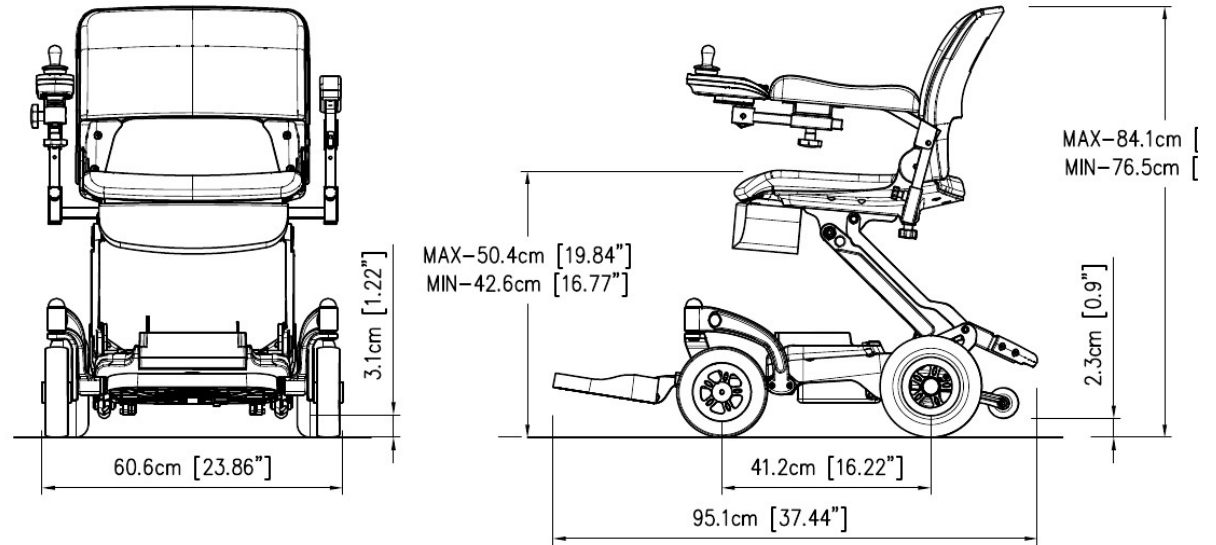
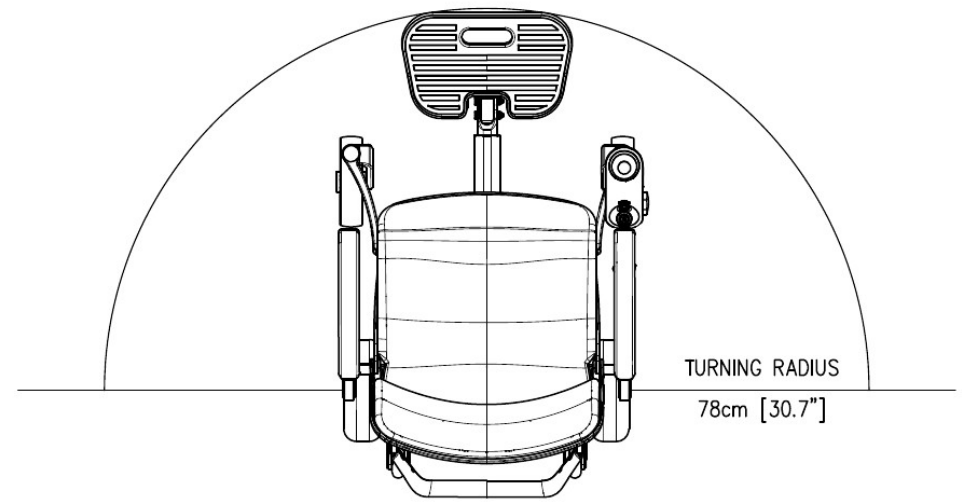
We have different lithium-ion **battery options** to the meet your different requirements: 8.5ah, 10.5ah, and 16.5ah. You can choose bigger capacity if you need to have long journey.

## Warranty



Lithium-ion battery is the most common as a portable power supply. However, we are the only one to provide **12 months warranty** instead of 6 months warranty from others.

<b>Top Speed</b>	<b>3.6mph</b>
Weight Cap	320lbs
Turning Radius	30"
Range	up to 22 mile (16.5ah)
Fully Charging	180 min
Overall Length	37"
Overall Width	23"
Caster	7" solid PU
Rear Wheel	8" solid PU
Ground Clearance	2.36 (at motor)
Seat	18*16"
Total Weight	70lbs
Seat height adjustable	33" & 30"





2019

JOIN US

FREERIDER USA  
8696 Utica Ave Rancho Cucamonga, CA 91730  
Email: [sales@freeriderusa.com](mailto:sales@freeriderusa.com)  
TEL: 909-466-7996  
FAX: 909-466-7990